



A100 PROEx Series Ex-proof Electric Actuators

A100 PROEx series electric actuators are quarter-turn actuators designed and certified for the safe control of valves in environments with potentially flammable and explosive gases and/or dust.

A100 PROEx series actuators are produced by being certified by a reputable certification institution as on/off or proportional control with 14 different sizes and a wide range of supply voltage options with a torque value of 50-8000 Nm.

Explosion-proof (Ex d class) flameproof body actuators provide safe use in chemical, petrochemical, natural gas, general industrial facilities, granaries, or other facilities containing flammable and explosive gases and dust. Ex-proof actuators are optionally supplied with ATEX-approved standard or armored cable glands according to their usage areas.

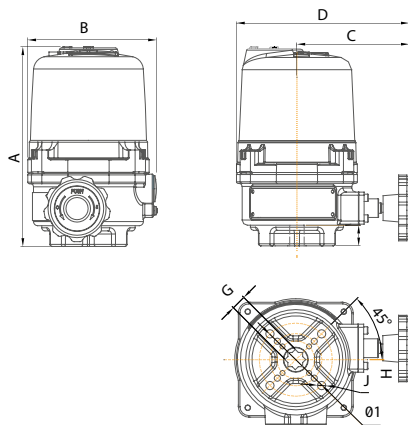


PROEx 005/008 Electric Actuators

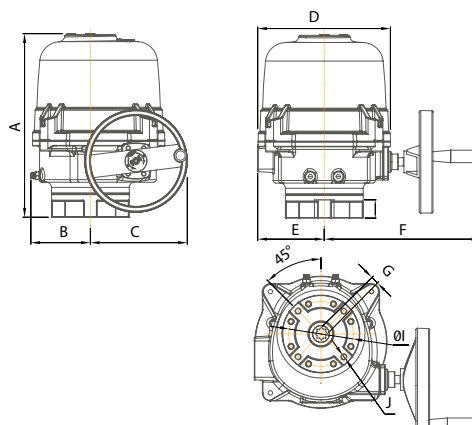
Technical Properties,

Torque Range	50-8000 Nm (14 different model)	ATEX Category	2 G/D
Operation Mode	On/Off, Proportional (0-10V / 4-20 mA)	ATEX Zone	Zone 1,2 (Gas) / 21,22 (Dust)
Supply Voltage	24V/48V/110V/110V DC, 24V/110V/230V/240V/380V AC	ATEX Explosion Group	IIC (Gas) / IIIC (Dust)
ATEX Certificate (DNV)	Ex II 2G Ex db IIC T4-T6 Gb / Ex II 2D Ex tb IIIC T85°C/T100°C/T135°C Db	ATEX Operating Temp.	-20°C ~ +65°C / -40°C ~ +65°C
ATEX Group	Group II	ATEX Surface Temp.	T4 (135°C) ~ T6 (85°C) T4 (135°C) ~ T6 (85°C)

PROEx 005/ 008

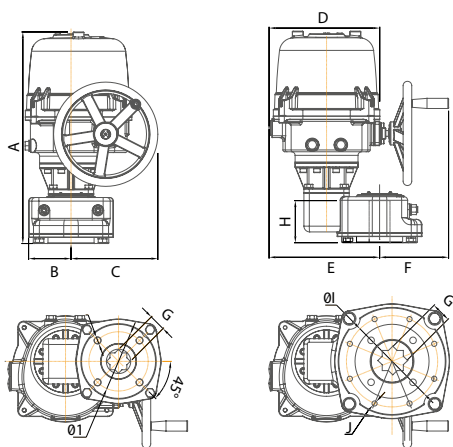


PROEx 010/ 020/ 030/ 040/ 060/ 080/ 100/ 170/ 230



PROEx 010..230 Electric Actuators

PROEx 350/ 500/ 800



Dimensions (mm)

Model	Torque (Nm)	A	B	C	D	E	F	G	H	ØI	J	Weight (kg)
PROEx 005	50	192	121	108	167	-	-	11 X 11 14 X 14	20	36 50 70	4-M5 4-M6 4-M8	3,2
PROEx 008	80											
PROEx 005	50	212	121	108	167	-	-	11 X 11 14 X 14	20	36 50 70	4-M5 4-M6 4-M8	3,6
PROEx 008	80											
PROEx 010	100	286	83	126	209	108	242	14 X 14 17 X 17	35	70	4-M8	11
PROEx 020	200											
PROEx 030	300	354	115	187	256	129	302	22 X 22 22 X 22 27 X 27 27 X 27	55	102 102 125 125	4-M10 4-M10 4-M12 4-M12	22
PROEx 040	400											
PROEx 060	600	415	136	242	308	152	340	27 X 27 36 X 36	65	125 140	4-M12 4-M16	36
PROEx 080	800											
PROEx 100	1000	589	118	242	308	308	192	40 X 40 46 X 46	85	140 165 165	4-M16 4-M20 4-M20	76
PROEx 170	1700											
PROEx 230	2300	602	160	242	308	343	160	55 X 55	130	254	8-M16	107
PROEx 350	3500											
PROEx 500	5000											
PROEx 800	8000											

A100 PROEx Series Ex-proof Electric Actuators Technical Information

Model	Torque Value (Nm)	Manual Handwheel	Torque Limit Switch	Dry-Contact Limit Switch	Engine Power (W)	Supply Voltage	Operation Time (Sec)	Initial Current Value (A)	Operating Current Value (A)	LRA Current Value (A)
PROEx 005	50	√	-	√	10	24V DC	10	2,25	0,9	1,80
						220V AC (50/60 Hz)	15 / 14	0,53	0,21	0,50
PROEx 008	80	√	-	√	10	24V DC	15	2,25	0,9	1,80
						220V AC (50/60 Hz)	22 / 18	0,50	0,21	0,50
PROEx 010	100	√	√	√	40	24V DC	14	8,00	3,2	6,00
						220V AC (50/60 Hz)	19/16	1,00	0,42	0,80
						380V AC (50/60 Hz)	19/16	0,80	0,32	0,60
PROEx 020	200	√	√	√	40	24V DC	28	8,00	3,2	6,00
						220V AC (50/60 Hz)	39/33	1,00	0,42	0,80
						380V AC (50/60 Hz)	39/33	0,80	0,32	0,60
PROEx 030	300	√	√	√	40	24V DC	28	8,50	3,5	6,50
						220V AC (50/60 Hz)	39/33	1,15	0,46	0,85
						380V AC (50/60 Hz)	39/33	0,80	0,35	0,65
PROEx 040	400	√	√	√	90	24V DC	21	14,00	5,6	10,50
						220V AC (50/60 Hz)	29/24	2,20	0,9	1,80
						380V AC (50/60 Hz)	29/24	1,50	0,62	1,20
PROEx 060	600	√	√	√	90	24V DC	28	14,00	5,6	10,50
						220V AC (50/60 Hz)	39/33	2,20	0,9	1,80
						380V AC (50/60 Hz)	39/33	1,50	0,62	1,20
PROEx 080	800	√	√	√	90	24V DC	34	14,00	5,6	10,50
						220V AC (50/60 Hz)	47/39	2,20	0,9	1,80
						380V AC (50/60 Hz)	47/39	1,50	0,62	1,20
PROEx 100	1000	√	√	√	120	24V DC	34	20,00	8,4	16,00
						220V AC (50/60 Hz)	47/39	2,50	1,1	2,00
						380V AC (50/60 Hz)	47/39	2,00	0,8	1,50
PROEx 170	1700	√	√	√	200	220V AC (50/60 Hz)	34/28	5,50	2,2	4,00
						380V AC (50/60 Hz)	34/28	2,50	1,1	2,00
PROEx 230	2300	√	√	√	200	220V AC (50/60 Hz)	47/39	5,50	2,2	4,50
						380V AC (50/60 Hz)	47/39	2,50	1,1	2,00
PROEx 350	3500	√	√	√	200	220V AC (50/60 Hz)	76/63	5,50	2,2	4,50
						380V AC (50/60 Hz)	76/63	2,50	1,1	2,00
PROEx 500	5000	√	√	√	200	220V AC (50/60 Hz)	105/88	5,50	2,2	4,50
						380V AC (50/60 Hz)	105/88	2,50	1,1	2,00
PROEx 800	8000	√	√	√	200	220V AC (50/60 Hz)	143/119	5,50	2,2	4,50
						380V AC (50/60 Hz)	143/119	2,50	1,1	2,00