

A236 Series Smart Pneumatic Positioners

A236 Series smart positioners provide high-precision proportional control in quarter turn and linear acting valves. With its advanced microprocessor infrastructure and piezo valve technology, A236 series positioners provide precise flow controls to users.



Due to their very low air consumption, the A236 Series positioners provide up to 95% lower operating cost compared to conventional positioners.

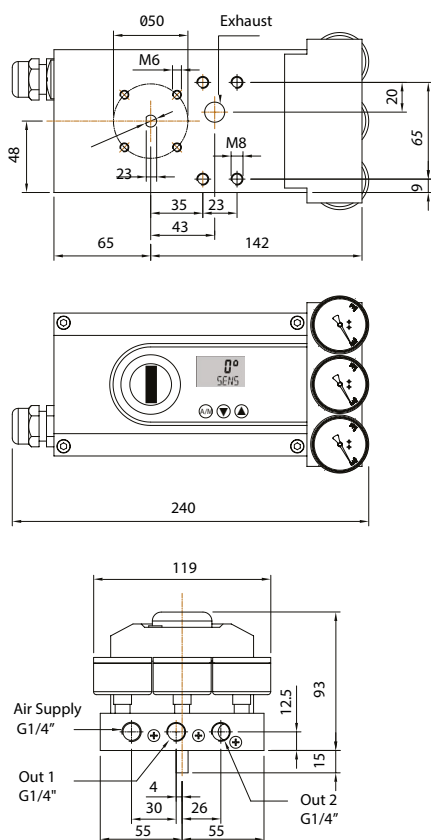
General Specifications,

- Compact design
- High reliability
- Precise control performance
- Integrated position transmitter
- Integrated pressure sensors
- Very low air consumption
- Automatic adjustment system for calibration
- Automatic diagnosis
- Compatible with single and double acting actuators
- Rotary (rotary) and linear usage feature
- Metal case, heavy duty use

Optional Specifications,

- HART 7 protocol
- Profibus PA
- Foundation Fieldbus

Dimensions(mm)



Technical Specifications,

Input Signal	4~20 mA
Output Signal	4~20 mA DC, Min 3.8 mA (Loop Powered)
Position Indicator	LCD, 2 Lines 7 Digits
Protection Class	IP65 / Optional IP66
Body Material	Powder Epoxy Coated Aluminium Die Casting
Supply Pressure	1.4 ~ 7.0 bar (Max 10 bar) Filtered and Dry Air
Air Quality	ISO8573-1, Class 4
Flow Capacity	230 lt/min (at 6.0 bar pressure)
Static Air Consumption	< 0.036 m ³ /Hour (60 PSI = 4.14 bar)
Pneumatic Connection	Single Acting / Double Acting (G1/4")
Sensitivity	0.1% of signal range
Accuracy	0.5% of the full stroke
Repeatability	0.2% of the full stroke
Dead Zone	0.1~10% Adjustable
Output Characteristic	Linear, 1:30, 30:1, 20 customizable curves
Stroke Range	Linear 10 ~100 mm, Rotary 30 ~ 120°
Operating Temperature	-20°C ~ +80°C (optional -40°C)
Vibration Resistance	15~150 Hz/2g
Environmental Humidity	5 ~ 95% RH
Pneumatic Connection	G1/4"
Conduit Entry	M20x1.5
Weight	2 Kg