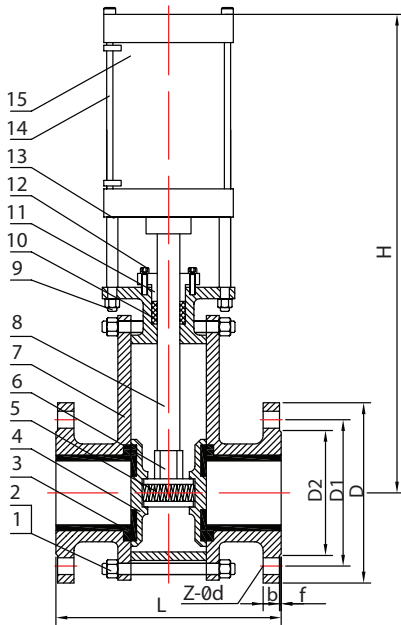


V390 Series DN80 Twin Disc Ceramic Lined Pneumatic Gate Valve



Standards:

- Design & Manufacture: GB/T12234
- Face to face dimension: GB/T12221
- Flange connection: JB/T79
- Inspection & Test : GB/T13927



Material List

No	Part Name	Material
1	Nut	25#
2	Bolt	35#
3	Seat	Ceramic
4	Gate	A105+Ceramic
5	Spring	45#
6	Sleeve	Q235
7	Body	WCB
8	Stem	Q235+Chrome Plate
9	Nut	25#
10	Studding	PTFE
11	Pack Gland	WCB
12	Bolt	35#
13	Pillar	Q235+Chrome Plate
14	Yoke	Aluminium Alloy
15	Actuator	Aluminium Alloy

Specification

PN	10.0 bar
Shell Test	15.0 bar
Seal Test	11.0 bar
Temp	≤250°C

Dimensions(mm)

Size (DN)	L	D	D1	D2	b	f	h	Z-0d
80	255	195	160	135	18	3	510	8-018