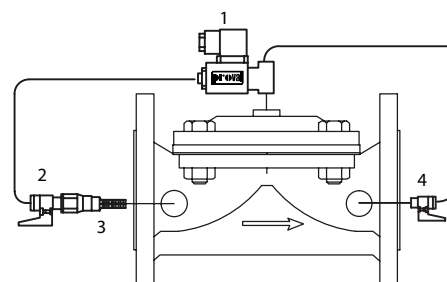
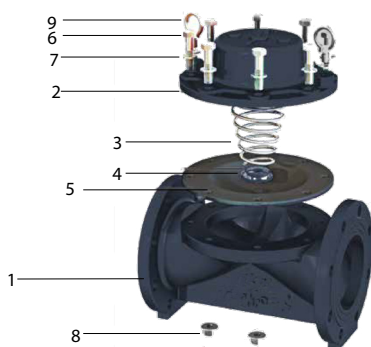


## S104/S105 Series Solenoid Control Valve

S104 / S105 Series control solenoid valves are built from cast iron and available with threaded and flanged ends. They can be opened and closed from a remote location by energising and de-energising the solenoid. S104 / S105 Series valves are suitable for use with air, water and non-flammable gases. Solenoid control valves require a minimum differential pressure of 0.5bar to ensure tight shut-off.

### Parts List

No	Part Name	Material
1	Body	GG25-GGG40
2	Bonnet	GG25-GGG40
3	Spring	Stainless Steel
4	Spring Retainer	Polyamide
5	Diaphragm	Natural Rubber
6	Bolt	8.8 Zinc Plated Steel
7	Plain Washer	8.8 Zinc Plated Steel
8	Nut	8.8 Zinc Plated Steel
9	Eye Bolt	8.8 Zinc Plated Steel



- 1) Solenoid Valve
- 2) Mini Ball Valve
- 3) Brass Inline Filter
- 4) Mini Ball Valve

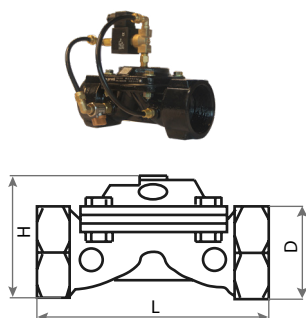
### Technical Specifications

Operating Pressure	Standard	0,7 - 16 bar (10 - 240 psi)
	Low Pressure	0,5 - 10 bar (7,5 - 160 psi)
	High Pressure	0,7 - 25 bar (10 - 360 psi)
Temperature	Min. Operating Range	- 10 °C (14 °F) DIN 2401/2
	Max. Operating Range	80 °C (176 °F) DIN 2401/2
End Connection	Flanged	DIN 2501 , ISO 7005 - 2
	Threaded	ISO (BSP) , ANSI (NPT)
Coating	Standard	Epoxy
	Optional	Polyester
Hydraulic Tubing	Standard	Reinforced Nylon* Hydraulic Tube*
	Opsiyonal	Copper DIN1057
Actuator Type	Single Chamber Actuator	Diaphragm Actuator

### Dimensions

#### S104 Series Threaded(BSP) Solenoid Control Valve

Size (DN)	D	L	H	Weight (kg)
20	46	132	50	1,07
25	46	132	50	0,97
32	68	173	92	2,86
40	68	173	92	2,66
50	83	186	112	4,05
65	92	226	118	5,10
80	105	318	127	11,87



#### S105 Series Flanged (PN10 / PN16) Solenoid Control Valve

Size (DN)	D	L	H	Weight (kg)
50	163	212	149	8,00
65	184	220	154	9,80
80	204	286	173	18,45
100	210	330	173	19,30
125	262	368	212	28,25
150	288	394	325	51,90
200	350	462	392	91,10
250	405	545	485	158,00
300	460	582	500	178,20

