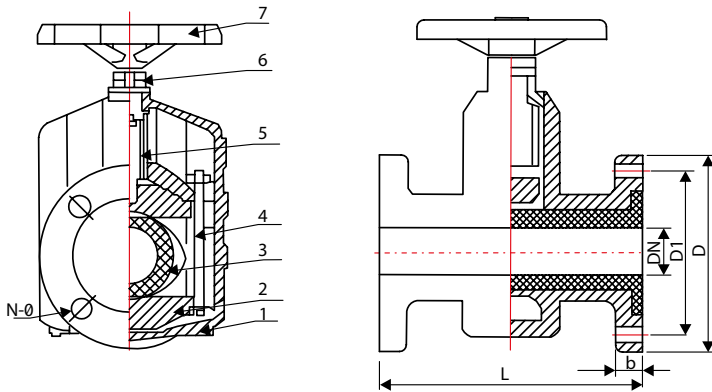




V850 Series Flanged Manual Pinch Valves



Material List

No	Part Name	Material
1	Body	Aluminum / Cast* / Ductile Iron
2	Pinching Device	Aluminum / Cast* / Ductile Iron
3	Sleeve	Natural Rubber*/EPDM
4	Stud	Carbon Steel
5	Stem	Carbon Steel
6	Stud Nut	Carbon Steel
7	Handwheel	Cast Iron

*Natural Rubber is the best construction material for the sleeve from the point of resistance to cracking from flexing and also shows excellent resistance to abrasive wear and to corrosion from any corrosive fluids.

V850 Series Flanged End Pneumatic Pinch Valves

Depending upon the fail safe mode required, offered in double/single acting fail-closed or fail-open configurations.

- Versions fitted with electric actuators are available upon request.

Material List

No	Part Name	Material
1	Body	Aluminum / Cast / Ductile Iron
2	Pinching Device	Aluminum / Cast / Ductile Iron
3	Sleeve	Natural Rubber
4	Stud	Carbon Steel
5	Stem	Carbon Steel
6	Stud Nut	Carbon Steel
7	Actuator	Aluminum / Carbon Steel

Dimensions(mm)

DN	L	D	D1	b	N-Ø
20	135	105	75	16	4-Ø14
25	145	115	85	16	4-Ø14
32	160	135	100	18	4-Ø18
40	180	145	110	18	4-Ø18
50	210	165	125	20	4-Ø18
65	250	185	145	20	4-Ø18
80	300	190	160	22	4-Ø18
100	350	215	180	22	8-Ø18
125	430	245	210	25	8-Ø18
150	500	280	240	25	8-Ø23
200	650	335	295	32	8-Ø23
250	800	390	350	32	12-Ø23
300	950	562	445	32	12-Ø23

Associated Accessories

- Open-Close Mechanical / Proximity Limit Switches
- Solenoid Valves
- Positioners
- Electric Actuators

